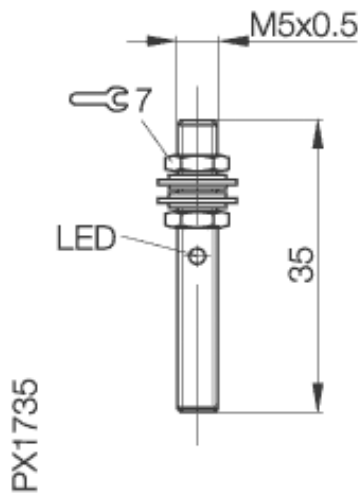


Inductive Sensors
BES M05ED-NSC15B-S26G
M5x0,5 x 35
normally-open
Sn=1,5mm
shielded



Common Data

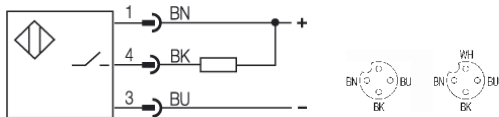
| | |
|--------------------------------|-------------|
| Mounting in steel | shielded |
| Rated operating distance Sn | 1,5mm |
| Assured operating distance Sa | 0...1,2mm |
| Repeatability R | ≤ 5% |
| Hysteresis | ≤ 15% |
| Function indication | yes |
| Ambient temperature range | -25...+70°C |
| Polution Degree | 3 |
| Time delay before availability | ≤25ms |

Mechanical Data

| | |
|---|-----------------|
| Measurements BxHxT or DxT | M5x0,5 x 35mm |
| Housing material | stainless steel |
| Material of sensing face | POM |
| Degree of protection | IP67IP |
| Connection | Connector S26 |
| Schock: Halfsinus, 30 gn, 11ms | |
| Vibration: 55 Hz, 1mm Amplitude, 3 x 30 Minutes | |

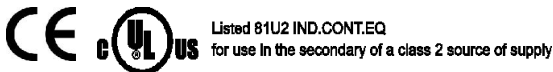
Electrical Data

| | |
|-------------------------------------|---------------|
| Current type | DC |
| Wiring | 3-Draht |
| switching function | normally-open |
| Output signal | NPN |
| Rated operational voltage | 24 DCV |
| Rated operational current | 100mA |
| Supply voltage | 10...30 DCV |
| Ripple | ≤10% |
| Rated supply frequency | DCHz |
| max. switching frequency | 3000Hz |
| No-load supply current | ≤ 10/≤ 3mA |
| Off-state current | ≤ 80µA |
| Voltage drop | ≤ 3V |
| Short circuit protection | yes |
| Protected against polarity reversal | yes |



Remarks

Connector BKS-B 25/BKS-B 26



Utilization categories DC 13
 Insulation class

Datasheet number:

Definitions see general catalog.
 If not otherwise noted, ratings according to IEC 60947-5-2 (DIN EN60947-5-2)

Balluff GmbH
 Schurwaldstrasse 9
 73765 Neuhausen a.d.F.
 Phone (07158) 173-0 Fax (07158) 5010

Datenblatt by CD-ROM - 04/2007

